

P801A
POWER
CORD

L801
D.G. COIL
DC-2501

P802
D.G. WAFER

D805, D806
1S1888

C803
0.47mk
250V

D801-D804: S3V60

C805-C808: 1KV 4700P

R801
1.8M(CC)
1/2W

L801
LF-800

C801
0.47mk
250V

L802
L-F414MK

P804
POSISTOR
140M270

S801
MC-7
MAIN SW

R803
15W 1.5
CEMENT

P801

F801
F6AH 250V

P803

C802
0.47mk
250V

R802
15W 1.5
CEMENT

D805

D806

R805 1K 2W

R845
15
1/4W

R844
15
1/4W

Q801
KTA1256Y

R842 100 1/4W

R841 10K

R843
6.8K

R846
270K
1/4W

R847
270K
1/4W

R806
11K
2W

D813
ZPD15

D807
ZPD6.2

D809
1N4148

Q802
KTC3198Y

R848
100
1W

R849
82K
1W

R841 10K

C814
100mk 50V

C815
2.2mk 50V

R823 33 1/2W

D822 1N4148

D808
1N4148

C841 10mk

D810 1N4148

C843
0.056mk
(M)

Q803
KSC5027R

R849
82K
1W

R849
82K
1W

C816
0.22mk
(M)

I801
TDA4605

T840 ST-2

I804
CNY75GB

Q804
KTC3905Y

C844
330P
500V

D812
BYV95C

I805
MC7805C

R852
4.8
1/4W

CV51
120P

R850
10K
1/4W

C845
470mk
25V

R851
100
1W

C846
220mk
16V

Rin

Lin

S/W

Yto

Yfn

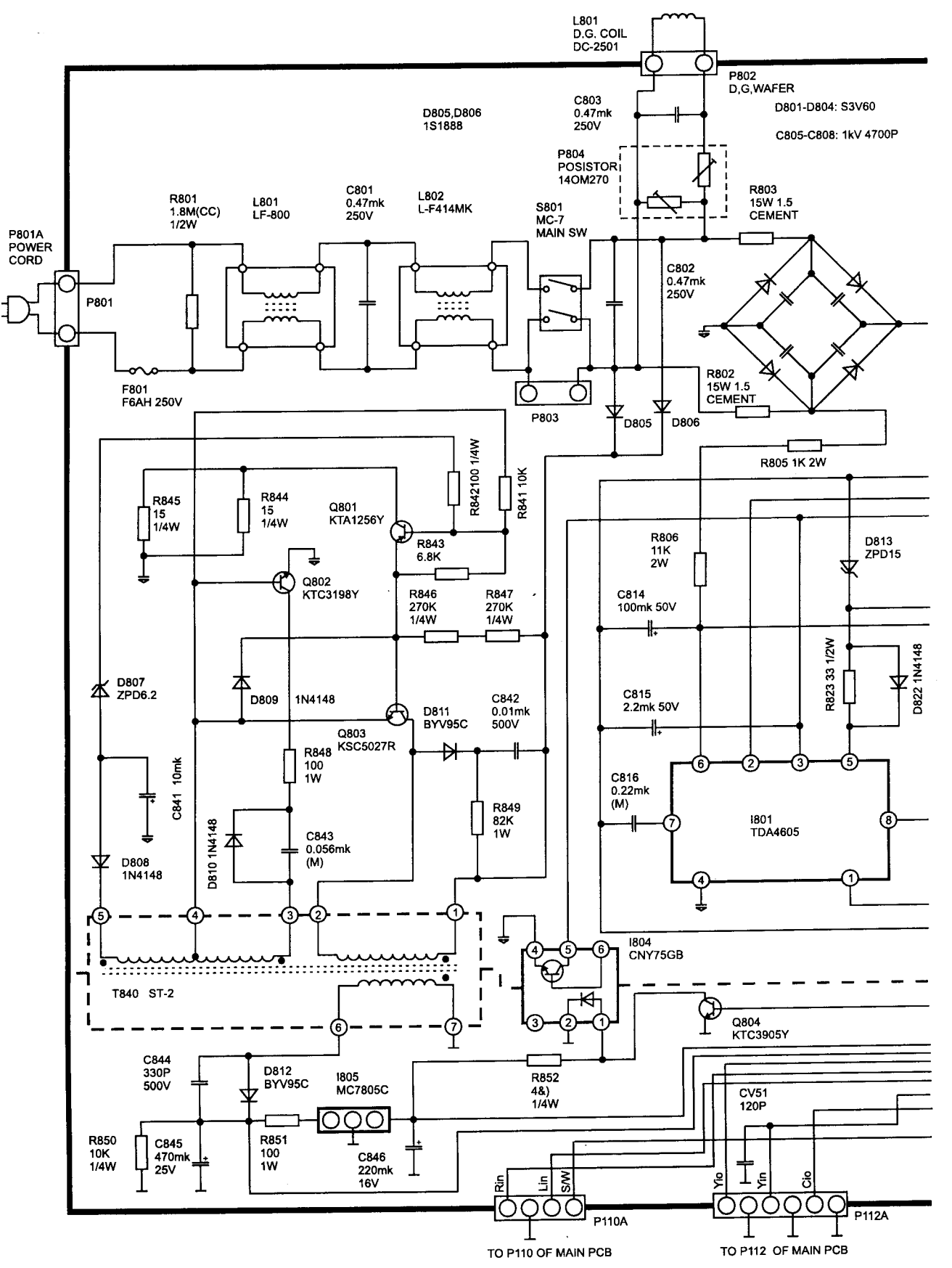
Cto

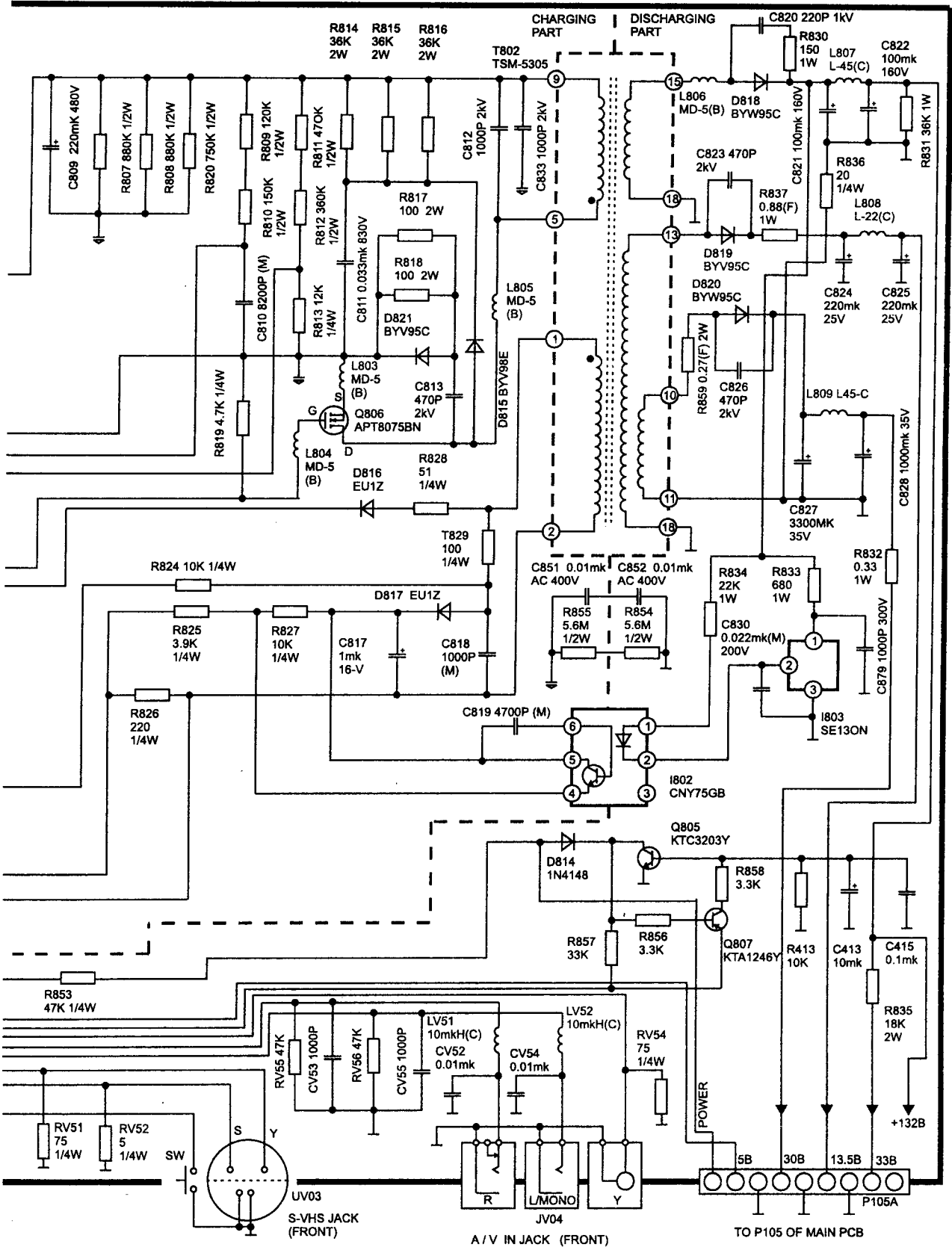
P110A

P112A

TO P110 OF MAIN PCB

TO P112 OF MAIN PCB





R814 36K 2W
 R815 36K 2W
 R816 36K 2W

CHARGING PART

DISCHARGING PART

T802
 TSM-5305

C820 220P 1KV
 R830 150 1W
 L807 L-45(C)
 C822 100mk 160V

